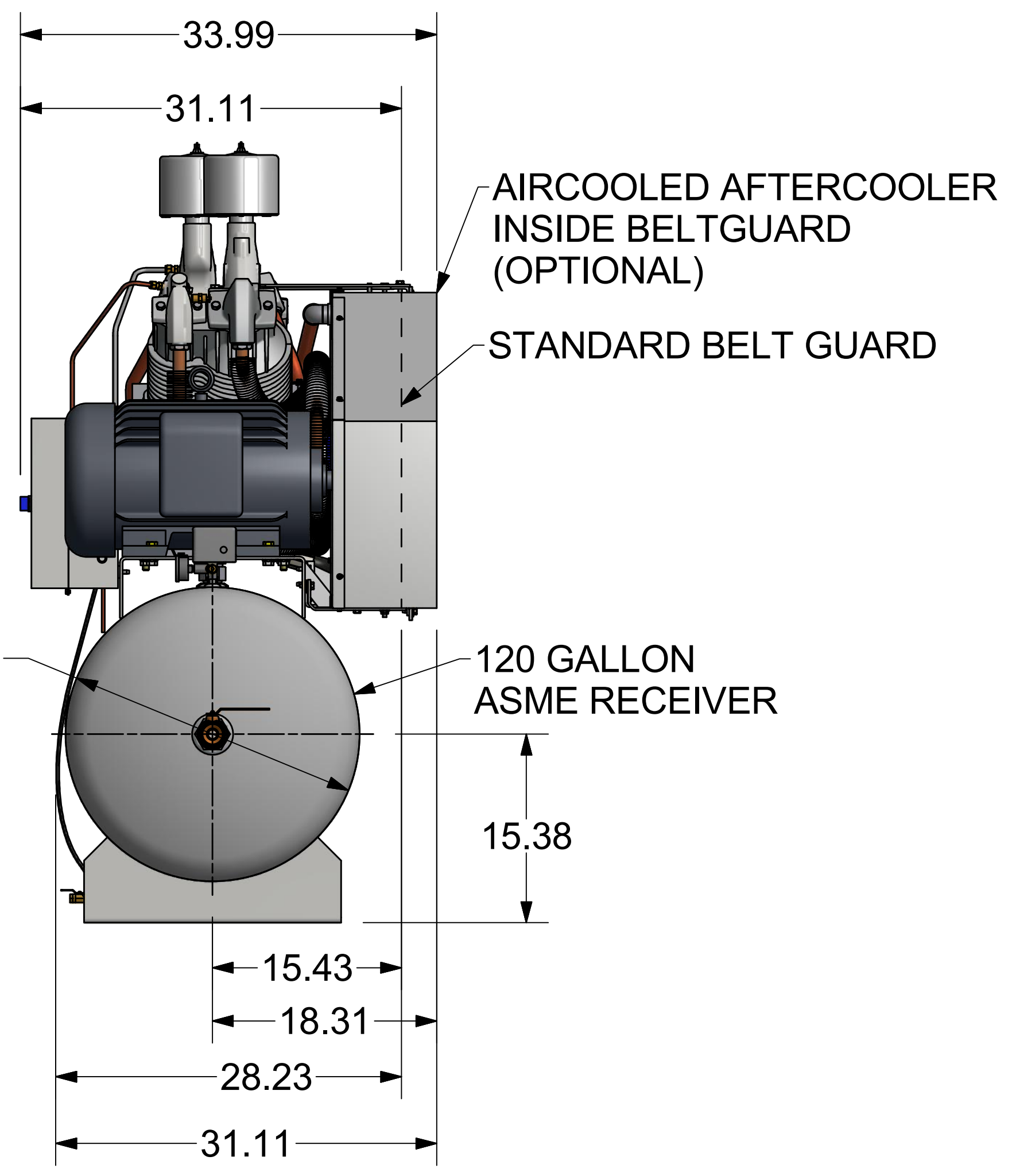
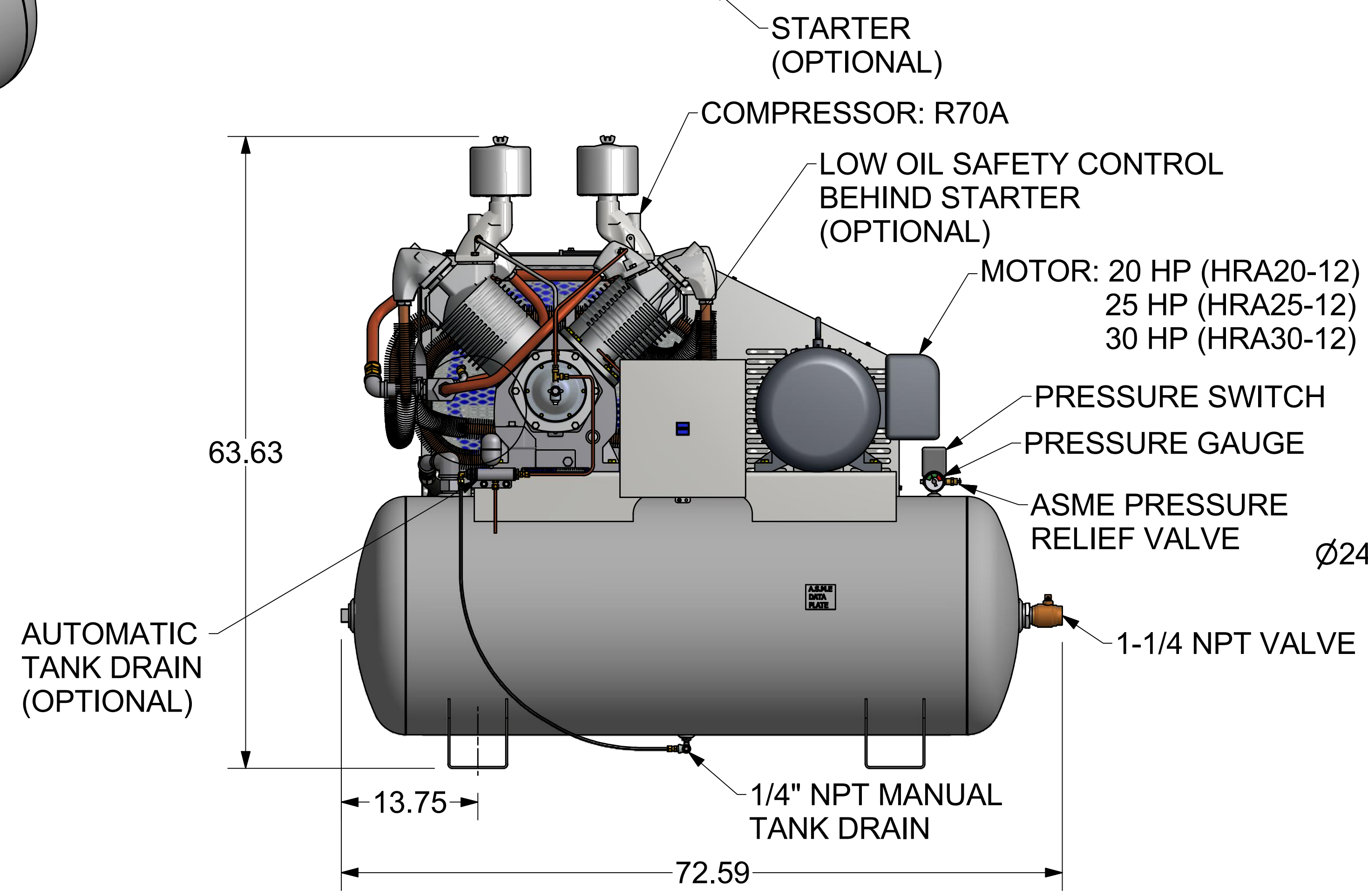
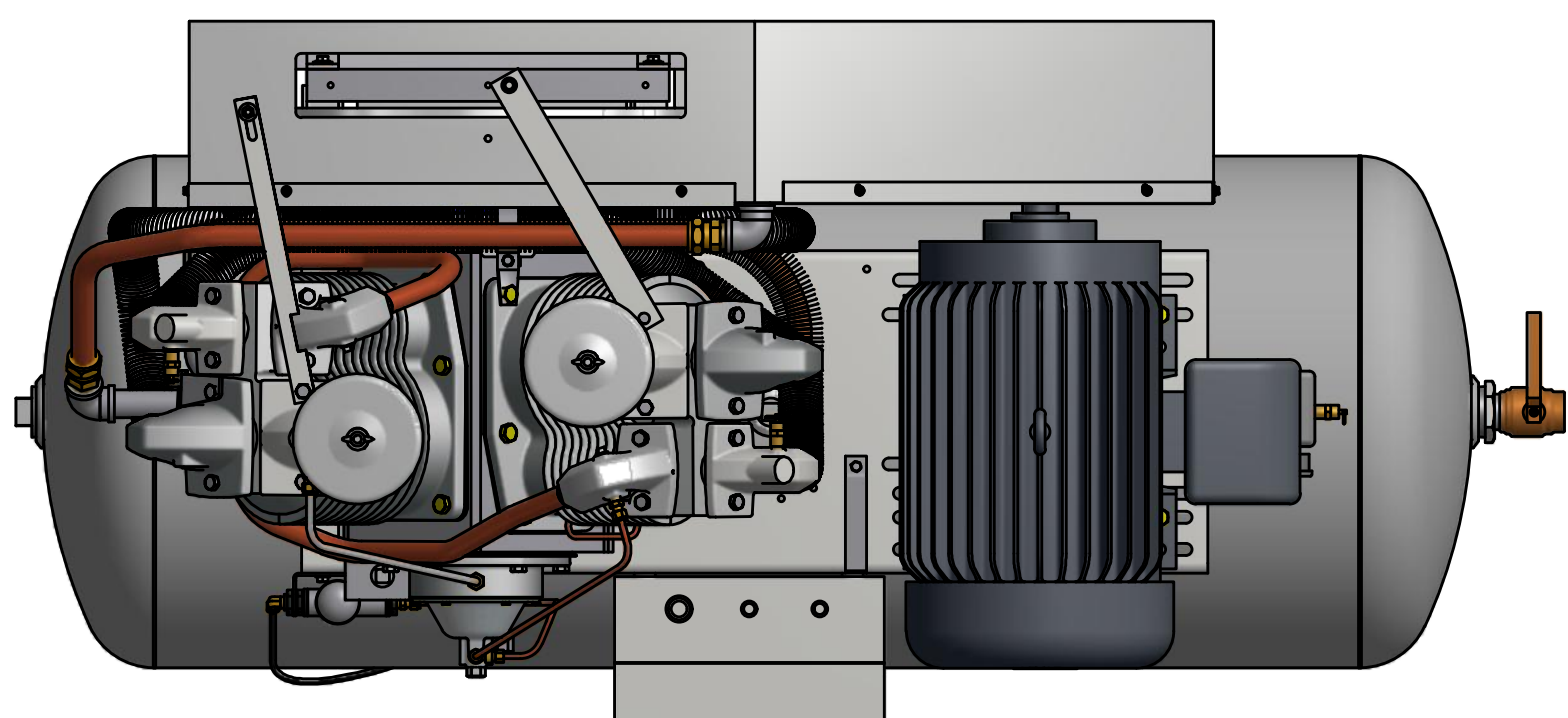
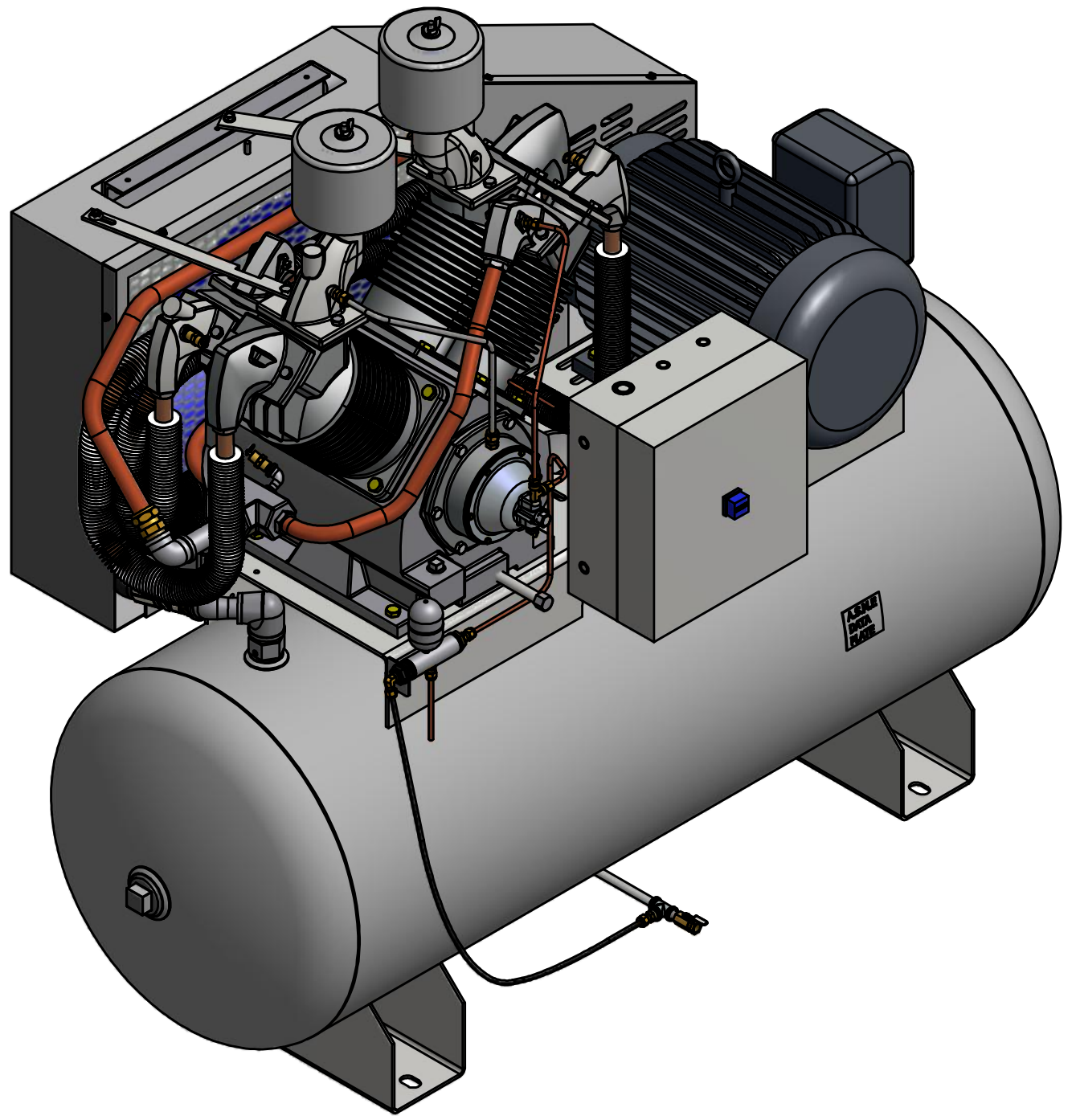
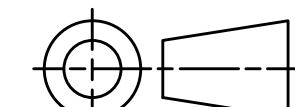


| ZONE |  | REV | DESCRIPTION              | DATE | DWN | CHK |
|------|--|-----|--------------------------|------|-----|-----|
|      |  | A   | RELEASED PER ECN 1080943 |      |     |     |



- NOTES:
- DO NOT SCALE DRAWING.
  - SPECIFICATIONS AND DIMENSIONS ARE SUBJECT TO CHANGE WITHOUT NOTICE OR OBLIGATION.
  - ALL DIMENSIONS IN INCHES.
  - ADD 1.00" TO HEIGHT FOR VIBRATION ISOLATION OPTION.

|   |   |   |
|---|---|---|
| FINISH OF CHAMFERS AND FILLETS TO CONFORM TO ROUGHEST ADJACENT AREA.<br>SURFACE ROUGHNESS MAXIMUM PER ASME B46.1.<br>FULL THREAD DEPTHS ARE MINIMUM.<br><br>UNLESS OTHERWISE SPECIFIED DIMENSIONS ARE IN INCHES<br><br>TOL. ON DECIMALS: .X = ± .05<br>TOL. ON DECIMALS: .XX = ± .02<br>TOL. ON DECIMALS: .XXX = ± AS SPECIFIED<br>TOL. ON ANGLES: ± 0°-30' | CONFIDENTIAL - THE INFORMATION CONTAINED IN THIS DOCUMENT IS THE PROPERTY OF GARDNER DENVER, INC. IT IS NOT FOR PUBLIC DISCLOSURE. POSSESSION OF THE INFORMATION DOES NOT CONVEY ANY RIGHT TO LOAN, SELL OR DISCLOSE THE INFORMATION. UNAUTHORIZED REPRODUCTION OR USE OF THE INFORMATION IS PROHIBITED. THIS DOCUMENT IS TO BE RETURNED TO GARDNER DENVER, INC. UPON THE COMPLETION OF THE PURPOSE FOR WHICH IT IS LOANED OR UPON REQUEST. |   |
|   | DIMENSIONING AND TOLERANCING PER ASME Y14.5-2009<br>THREADS PER ASME B1.1 GAGING SYSTEM 21 U.O.S., ANSI B1.20.1 & B1.20.3   |   |
| THIRD ANGLE PROJECTION   | <b>Gardner Denver</b><br>Gardner Denver Inc.<br>Quincy, IL.   | HEAT TREATMENT<br>ENG. REF:                                       |
|   | DWN BY KWT 1/31/2014<br>CKD BY DA 1/31/2014   | TITLE<br><b>OUTLINE-BARE UNIT</b><br>HRA20-12, HRA25-12, HRA30-12 |